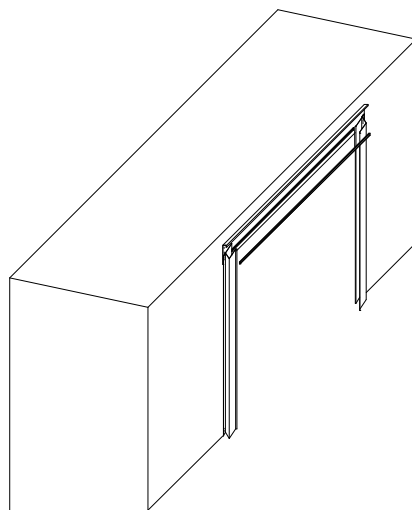
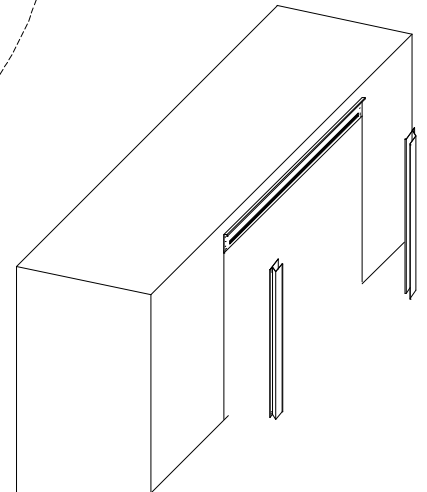
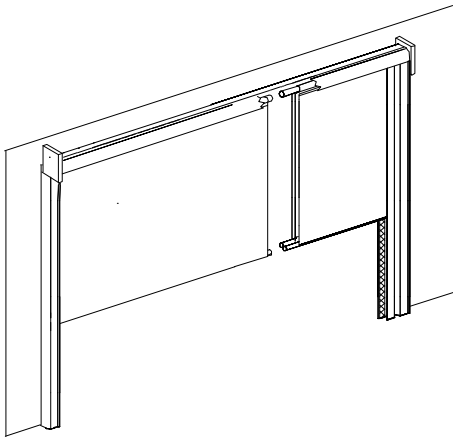
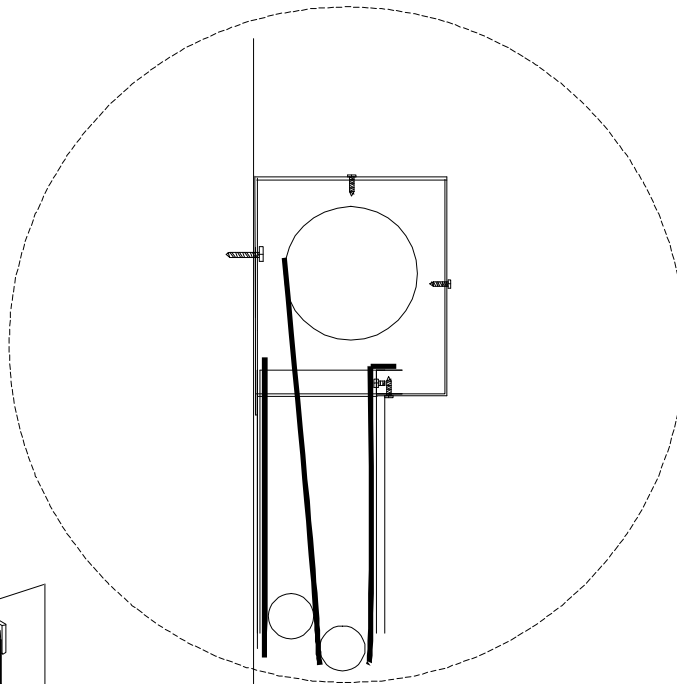
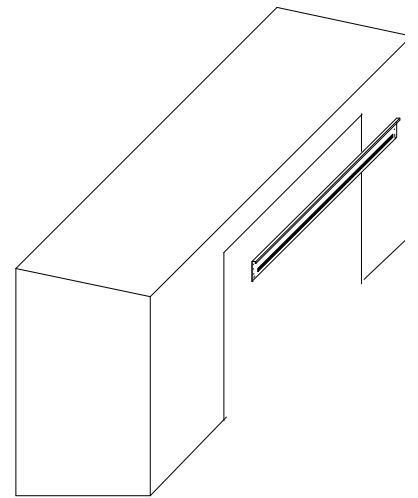
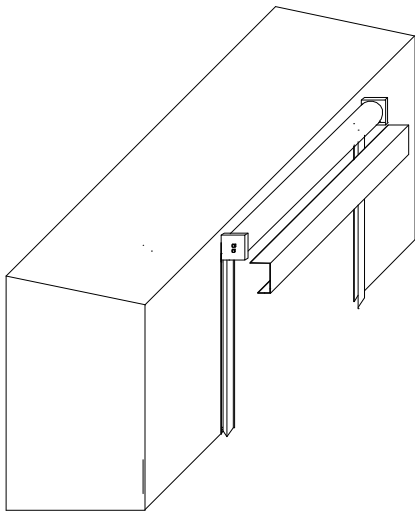


RollSeal

Door Installation Instructions



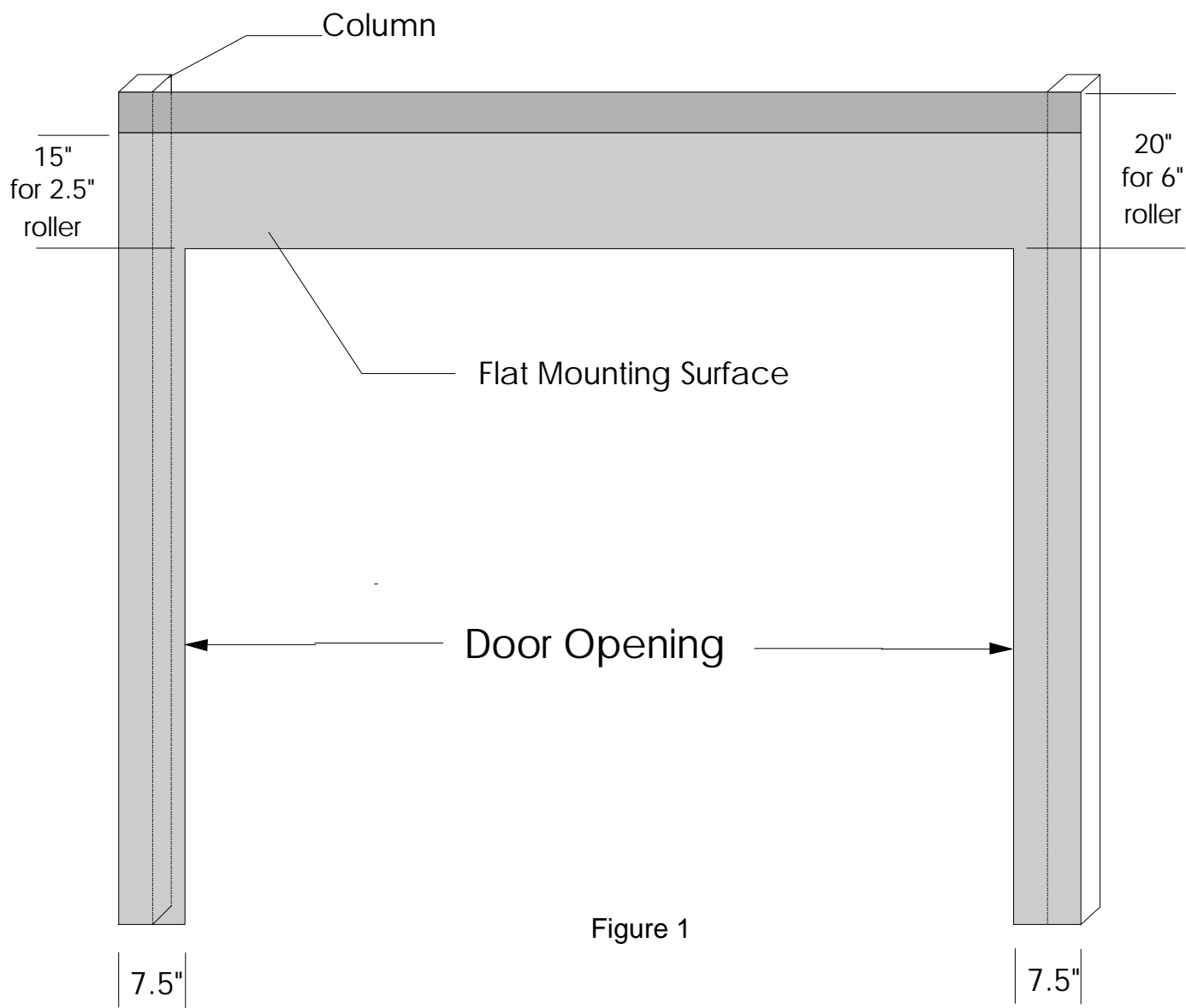


Figure 1

FRAMING DETAIL FOR ROLLSEAL DOOR

In order to install the RollSeal door, the space shown shaded in Figure 1 must be available to mount the door components. The door can mount to a flat surface or to columns. If mounting to columns, the columns should be at the outside edge of the shaded area, and extend to at least the height of the shaded area..

First determine if your door has a 2.5" rollup tube or a 6" tube.

If you have a 2.5" tube, you must have at least 15 inches above the door opening to mount the door components.

If you have a 6" tube, you must have at least 20 inches above the door to mount the door components. In either case, you must have 7.5 inches on each side to mount the tracks.

If this space is not available, it may still be possible to mount the door, however, it may occupy some of the door opening.

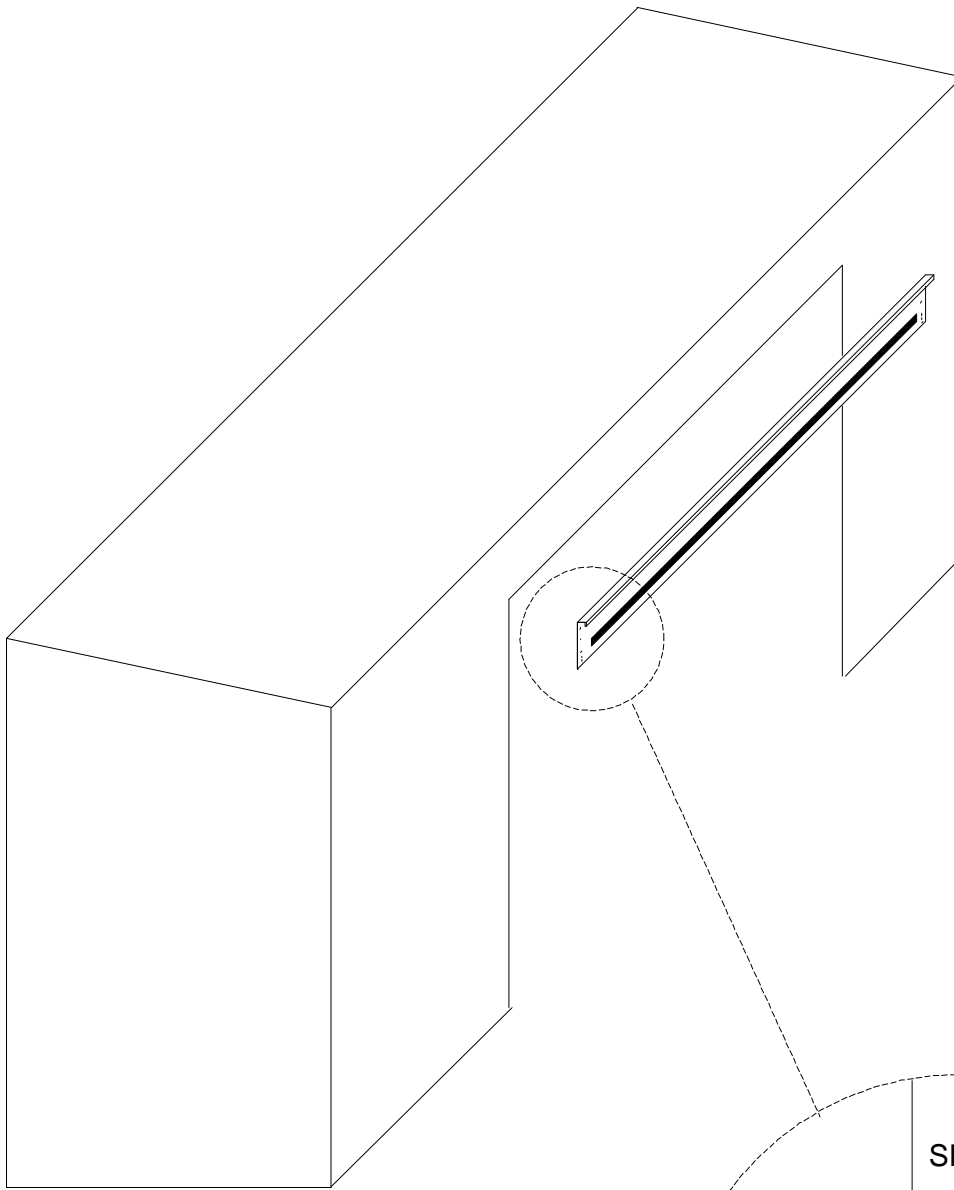
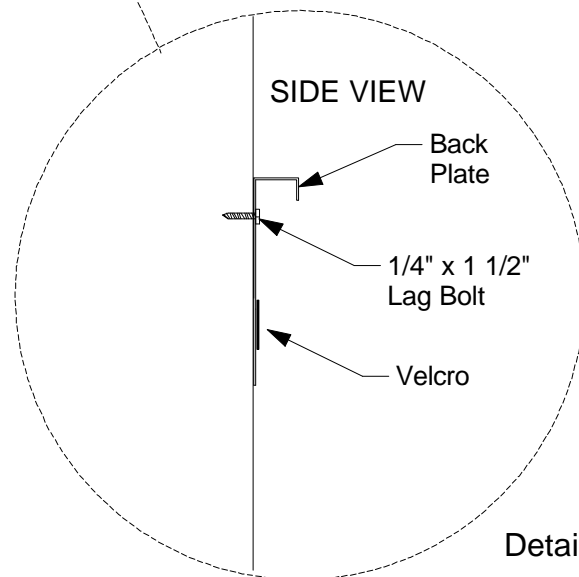


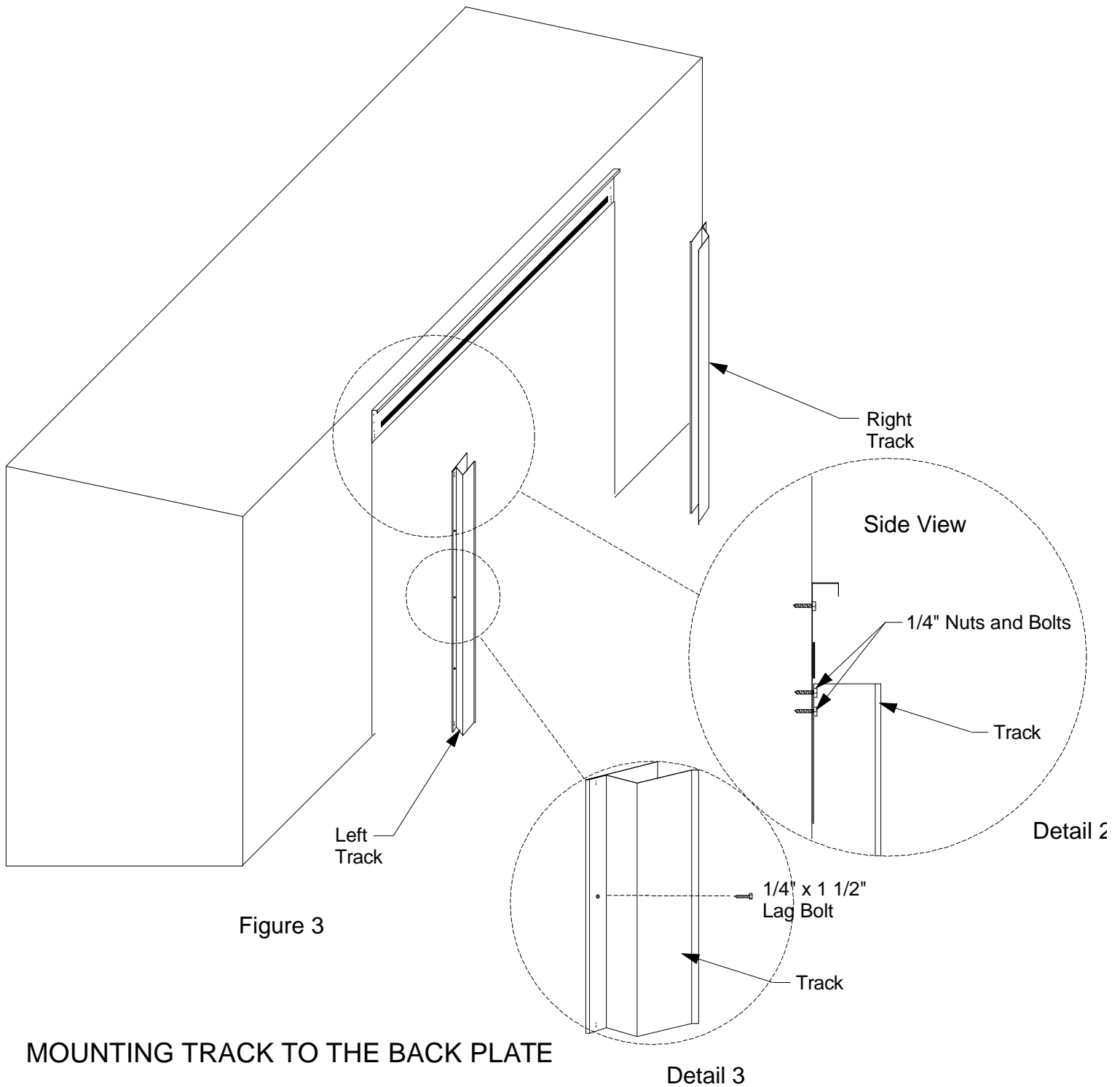
Figure 2



Detail 1

MOUNTING BACK PLATE

1. Mount the back plate above the door opening, as shown in Detail 1, using 1/4" x 1 1/2" lag bolts. The back plate must be mounted level, even if the door is not. Only put bolts in the top holes in the back plate at this time.



1. Mount the Left and Right tracks to the back plate as shown in Figure 3. Use the 1/4" lag bolts, shown in Detail 2.
2. Attach the tracks to the wall using 1/4" lag bolts. The tracks must be plumb before attaching.

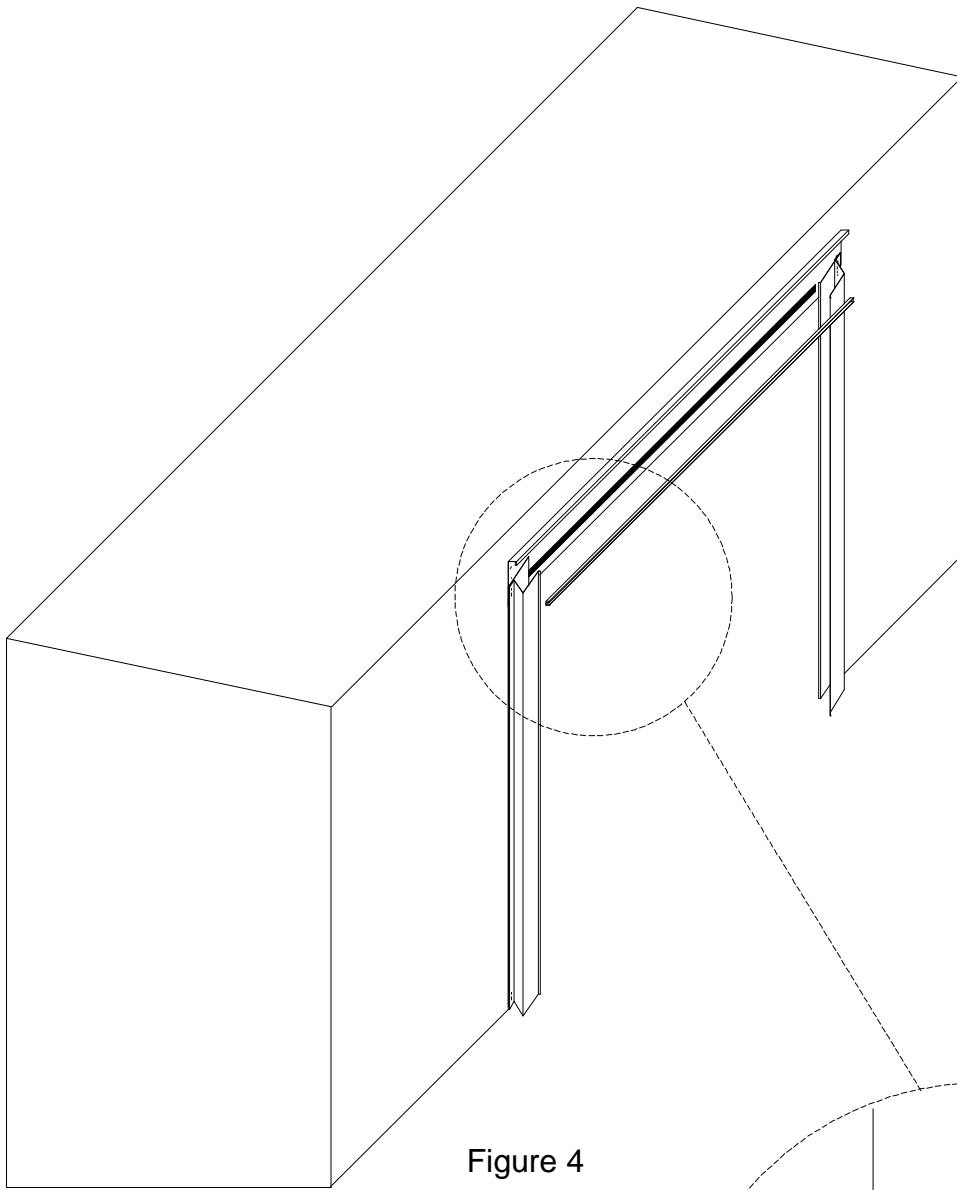
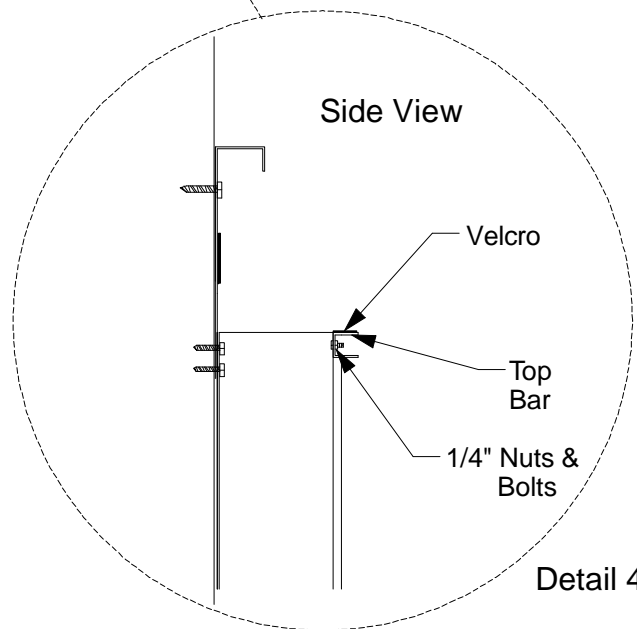


Figure 4



Detail 4

MOUNTING TOP BAR TO TRACKS

1. Mount the top bar to the tracks as shown in Figure 4 above.
2. Use the 1/4" nuts and bolts provided for mounting.
3. Be sure the velcro is on the top surface before mounting the bar. See Detail 4.

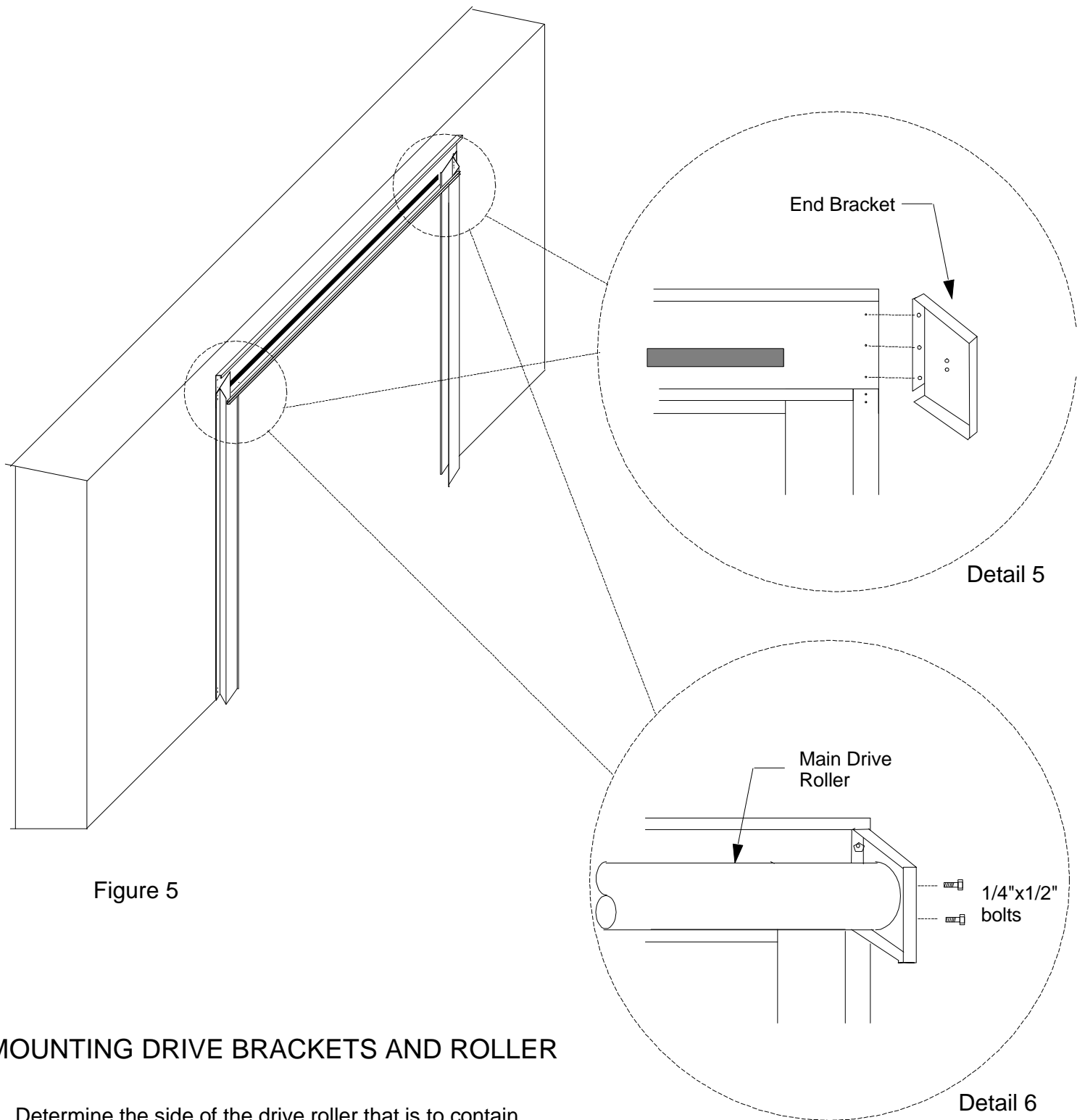


Figure 5

Detail 5

Detail 6

MOUNTING DRIVE BRACKETS AND ROLLER

1. Determine the side of the drive roller that is to contain the drive motor(left or right side).
2. Install the drive motor bracket(vertical hole pattern for motor attachment) and end support bracket(horizontal hole pattern) at each end of the back plate, using the pre-drilled holes, see Detail 5.
3. Install the main drive roller to the motor and support brackets that were installed in step 2 above, using 2 - 1/4"x1/2" bolts on each bracket. See Detail 6.

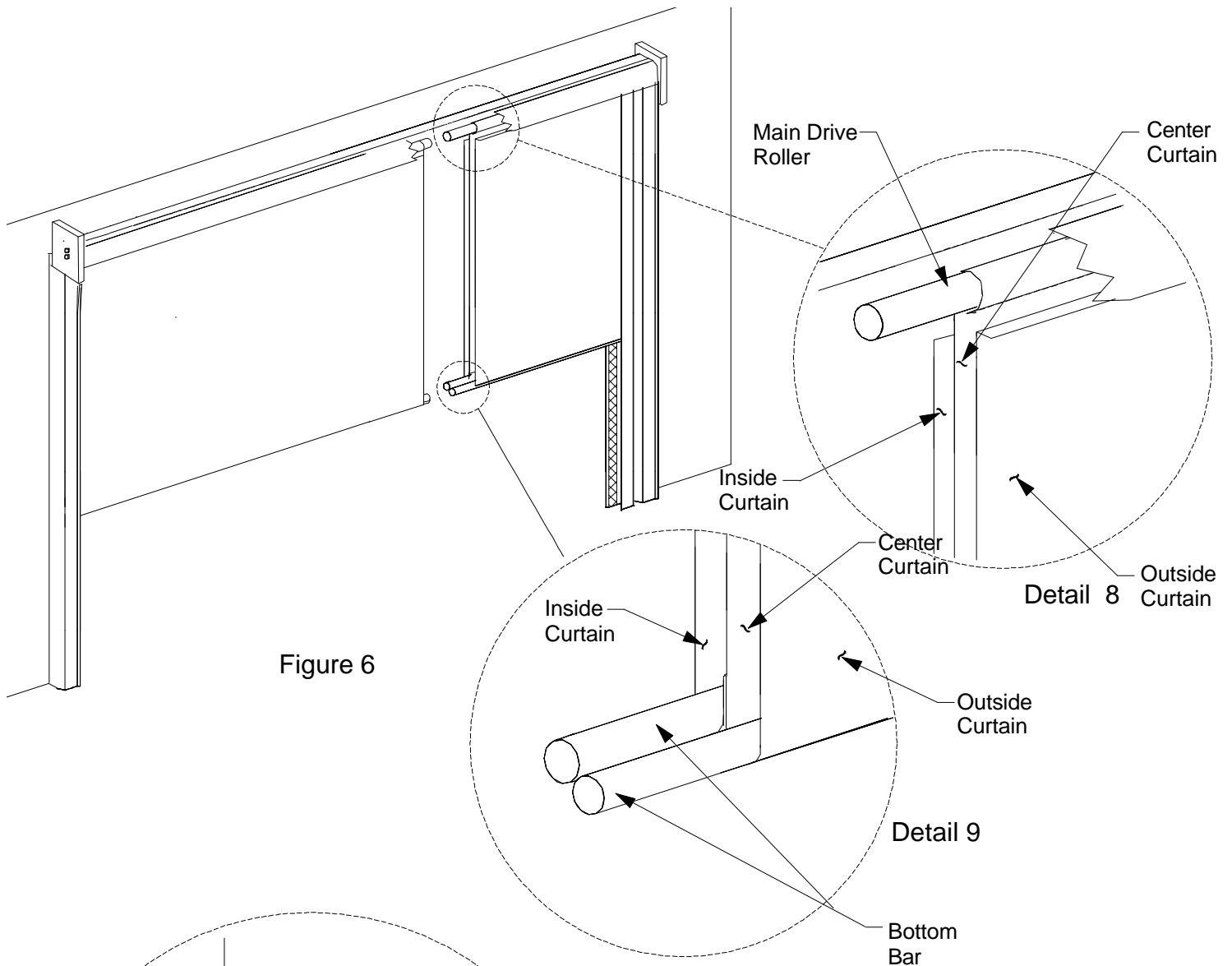
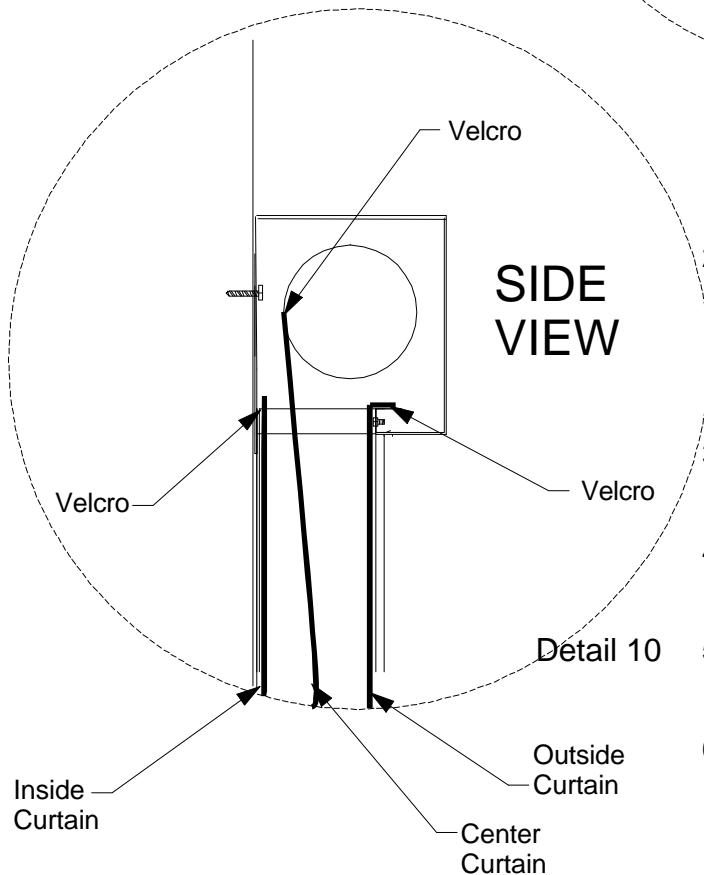


Figure 6

INSTALLING THE CURTAIN MATERIAL

1. After the drive roller is in place, the curtain material is installed, by attaching the Velcro.
2. First, identify the three curtain panels. The center panel does not have Velcro on the sides, only across the top. The inside and outside panels both have Velcro at the top and down each side. The outside panel is identified as the longer of the two.
3. To install the material, take the inside curtain, Detail 8 & 10, and attach it to the backplate.
4. After the inside curtain has been attached, take the center curtain, Detail 8 & 10, and attach it to the drive roller.
5. Take the outside curtain, Detail 8 & 10, and attach to the top bar.
6. After the curtain has been secured, install the bottom bars in the curtain as shown in Detail 9. The front bar should be installed first. The back bar should then be installed, and should be above the front bar.



WIRING THE MOTOR

To wire your motor, refer to Figure 7 if you have a single switch to control the door, Figure 8 if you have multiple switches, and Figure 9 if you have a remote receiver.

Figure 7 - Single Switch Wiring

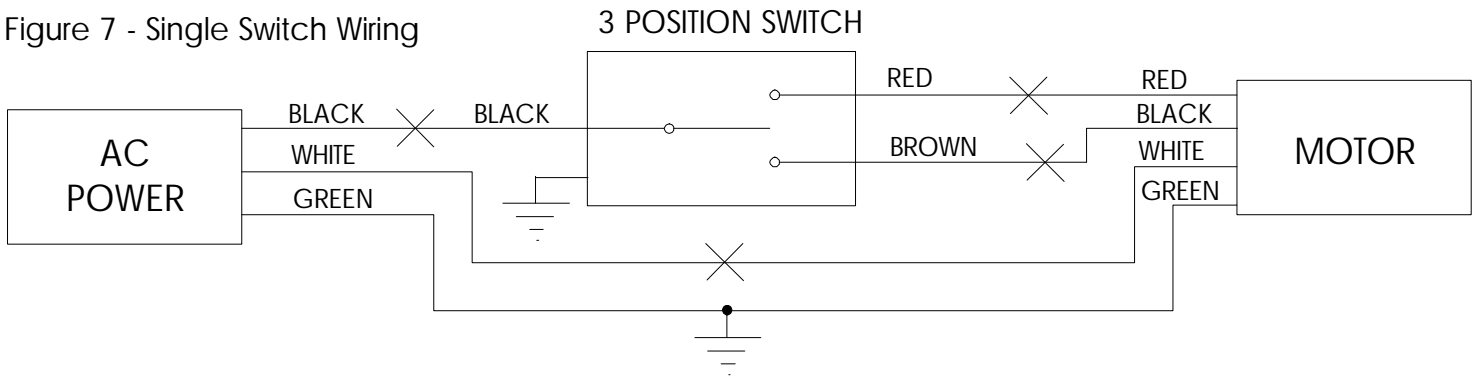


Figure 8 - Multiple Switch Wiring

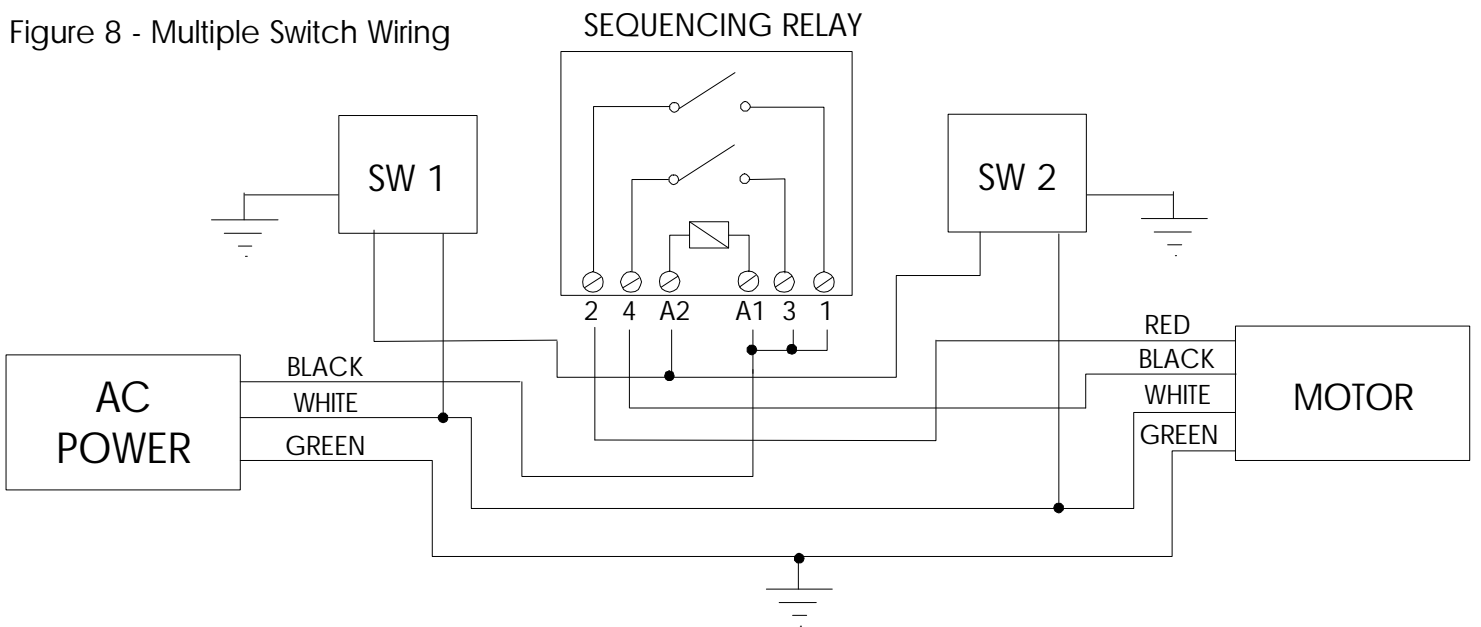
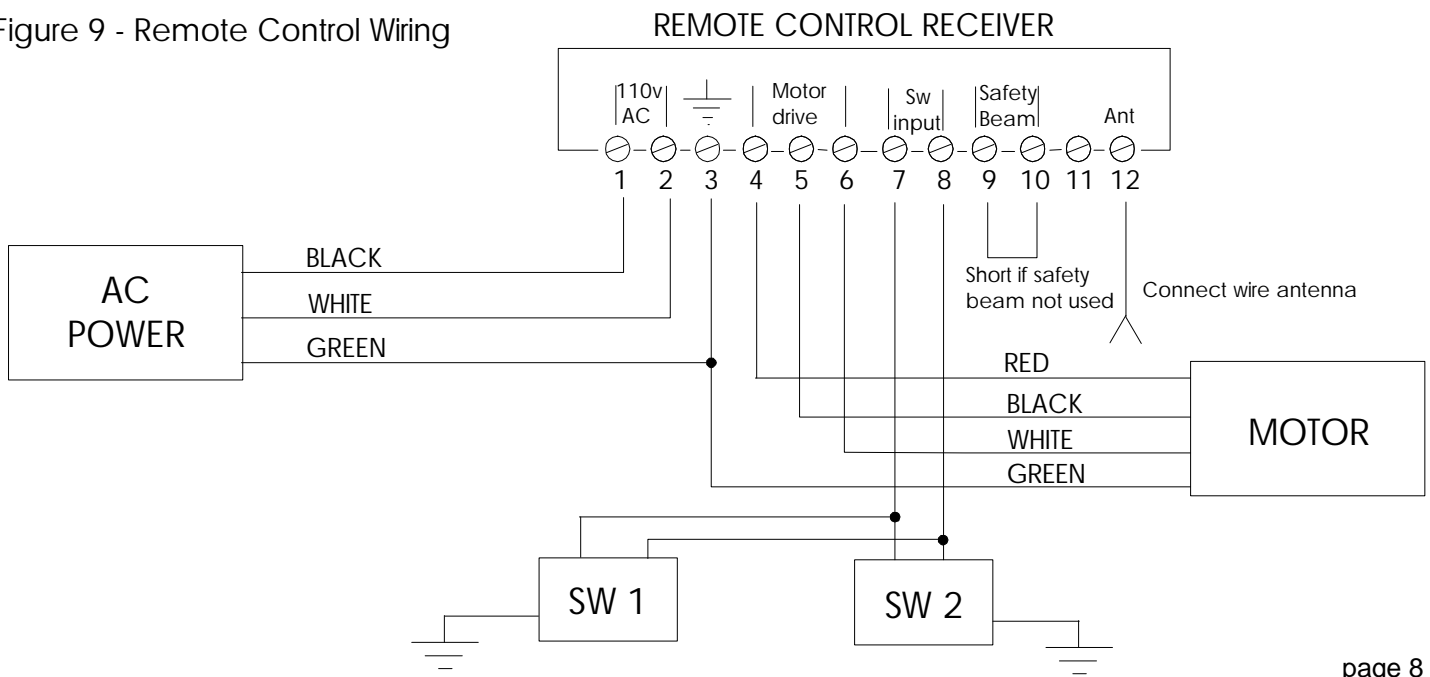
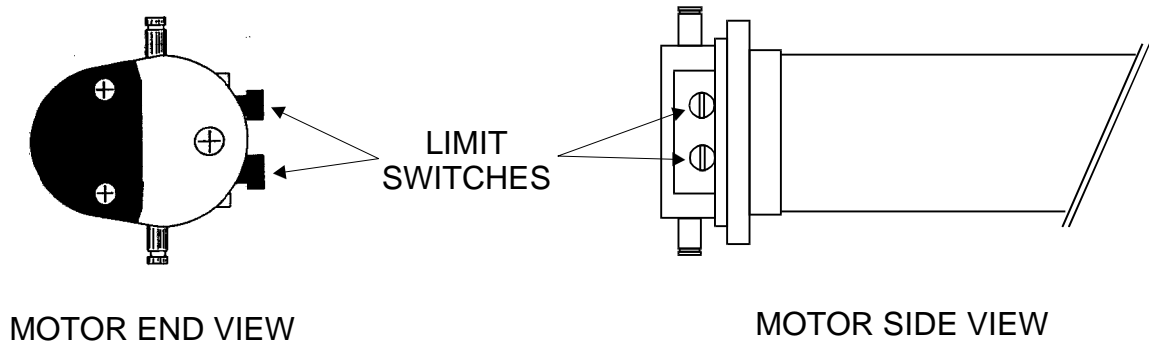


Figure 9 - Remote Control Wiring



LIMIT SWITCH SETTING (SIMU MOTOR)



After the motor has been wired, the limit switches can be set. Note the location of the limit switches in the drawings above.

1. The limit switches are adjusted by turning the screw in a clockwise direction to increase travel and in a counterclockwise direction to reduce travel.
2. Run the door to the DOWN position, noting the direction of rotation of the roller. Identify the limit switch corresponding to that direction of rotation (the arrow on the limit switch refers to the direction of rotation). If the door does not reach the desired position, turn the appropriate limit switch screw clockwise. Adjust that limit switch until the door just touches the floor.
3. Run the door to the UP position, adjusting the other limit switch until the door bottom just clears the door opening. Note, do not allow the bottom rod to go more than an inch above the bottom of the cover.

If the motor is run for an extended period of time while performing this procedure, it may shut off due to the thermal protection feature. If this occurs, allow the motor to cool for 10 to 15 minutes, and it will be ready for operation again.

At any time, the limits can be reset by repeating this procedure.

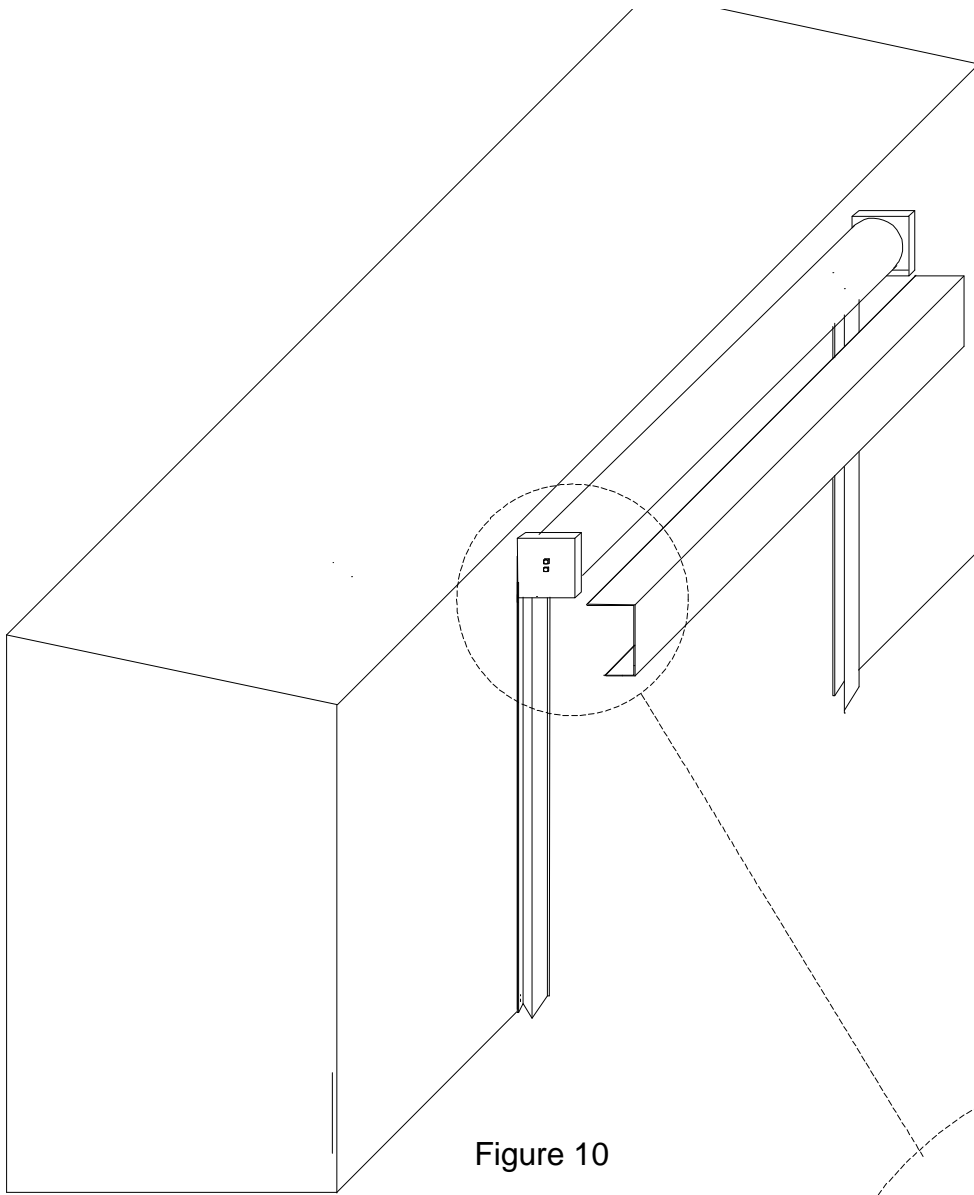
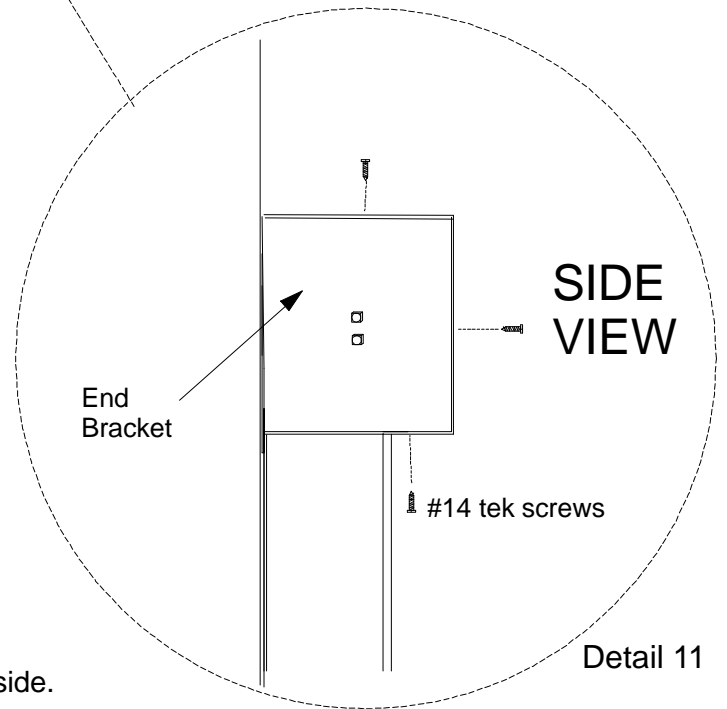


Figure 10



Detail 11

INSTALLING THE ROLLER COVER

1. Position the cover over the roller end brackets, as shown in Figure 7 and Detail 11.
2. Use the #14 tek screws provided, to attach the cover to the end bracket at the top, front, and underside.